



R系列固定动力型柴油机零件图册

R SERIES DIESEL ENGINE PARTS CATALOG FOR POWER TAKE OFF UNIT



华丰动力股份有限公司
POWER HF CO.,LTD
二零一三年八月版

华丰动力股份有限公司

地址：山东省潍坊市安丘经济开发区汶水路78号

邮编：262100

电话：(0536) 8192707

传真：(0536) 8192711

网址：<http://www.powerhf.com>

E-mail：admin@powerhf.com

POWER HF CO.,LTD

Add: No. 78, Wenshu Road, Anqiu Economic Development Zone, Weifang

City, Shandong Province, P. R. C.

Postal Code: 262100

Telephone: +86-0536-8192707

Fax: +86-0536-8192711

Website: www.powerhf.com

E-mail: admin@powerhf.com

R 系列固定动力型柴油机零件图册

前 言

R 系列柴油机为四冲程、水冷、直列、直喷 ω 燃烧室高速柴油机，是英国里卡多（RICARDO）公司为我国设计并与我公司联合研制的国内同类型柴油机的换代产品，具有良好的动力性、经济型、起动性能，可靠性好，寿命达到世界同类产品先进水平。

该系列柴油机有缸径为 105mm 的三、四、六缸和缸径为 108mm、110mm 的四、六缸自然吸气和增压十种通用机型，在此基础上根据使用要求对部分零件作相应变动后形成变型产品，可广泛用于拖拉机、联合收割机、汽车、工程机械、发电机组、农业、水利机械、渔船等。

为便于用户对柴油机的使用、维修，我们编写了这本包括多种机型的综合零件图册，编制原则如下：

同一功能形状不同的零件尽量并列在一起，通用型零件用实线引线表示装配关系，变型零件用虚引线表示。零件之间的相互方位基本与实际情况一致。

同一功能形状相近且安装在同一零件上的零件，只画一件，其余零件不画出，其标号带括号。

外购的部分其型号标在表中相应部件代号的下方，并带括号。

不同机型的同样零件只画一个。

管路可以只画两端，中间断开，如不能用中心线相连，则要同时在二端标出同一标号。被管路连接的零件如系另一总成，用细实线画出被连结零件的局部图形，特殊情况可以用文字注明连接何零件。

在柴油机型号栏中，空白格为基本型，“Z”“T”“G”“D”等为结构特性符号或用途特征符号，如，R4105ZT,代表 R 系列 4 缸，缸径 105mm，涡轮增压拖拉机用柴油机。

因产品在不断改进和开发，在本图册中印出之后的零件变动不可能及时反映，敬请用户注意。

本图册由付曙光、孙长义、徐传江、周茂森、童顺波、邵明鹏、胡来宾、王国辉、郑岩、付游、孙旭旭编写，窦玉香审核，鲍志超审定。

由于编写者水平所限，缺点错误在所难免，恳请读者指正。

编者

二零一三年八月

R Series Diesel Engine Parts Catalogue For Power Take Off Unit

PREFACE

R series diesel engine is a family of high speed engine of four-stroke, water-cooled, in-line ,direct injection and ω type chamber. It is a new generation product that designed by RICARDO and developed by RICARDO and Weifang Diesel Engine Limited Company, with good dynamic characteristics, fuel economy as well as excellent starting performance, the reliability and service life of the R series engines have reached the advanced world level among the products of the kind.

R series includes 3、4 and 6-cylinder with bore of 105mm,4 and 6-cylinder with bore of 108mm and 110mm, general purpose diesel engines with natural aspiration and turbocharging type. According to the requirements, various versions of R series can be developed by modifying, some parts so as to be used for different applications, such as tractors, trucks, combine-harvesters, construction machineries, generator sets and water conservancy facilities, fishing boats and so on.

For the convenience of operation and maintenance of the diesel engines, we compile this comprehensive parts catalogue which includes many kinds of model. The compiling principle is as follow:

1. The parts with same functions but different shape will be listed together, The continuous line indicates the assembling relations of the common parts while dash line indicates the variant parts. The relative position of the parts is basically in concordance with the actual situation.
2. For the parts fitted in same subassembly, with same functions and similar in shape, only one piece is shown, while the others are listed in the brackets.
3. The types of components outsourced are indicated under the corresponding parts codes in brackets in the table.
4. Only one of the same parts of various engine types is described.
5. Two ends of pipe may be drawn only instead of whole pipe with interruption in middle. If the two ends cannot be connected by centre line, the same marks should be made in two ends. If the part connected by a pipe belongs to other assembly, the partial

drawing of the connected part is described with fine continuous line. In special case, the connected parts can be marked by words.

6. In model column of this parts catalog, blank space indicates the primary model, and “Z”, “T”, “G”, “D” etc. stand for the structure and application of engines. For instance, “R4105ZT”, means R series, 4-cylinder, bore 105mm, turbocharged diesel engine, which is used for tractors.

Because of the continuous improvement and development of the products, the parts change after this catalogue releasing could not be reflected timely, so the users are requested to pay attention to this.

This parts catalogue is compiled by Shuguang Fu, Changyi Sun, Chuanjiang Xu, Maosen Zhou, Shunbo Tong, Mingpeng Shao, Laibin Hu, Guohui Wang, Yan Zheng, You Fu, Xuxu Sun, examined and verified by Yuxiang Dou, and approved by Zhichao Bao.

Editors
August, 2013

目 录

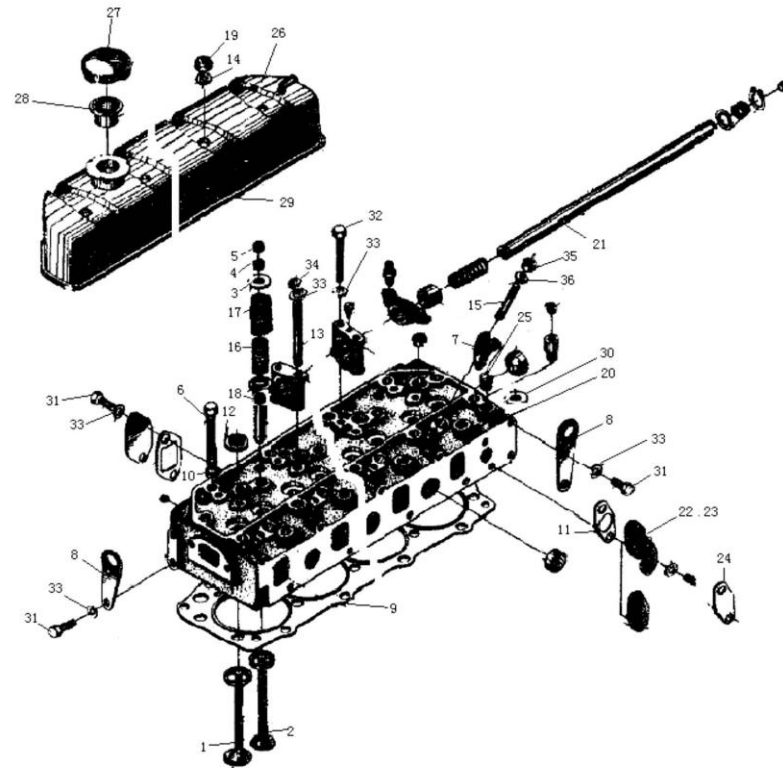
CONTENTS

1. 气缸盖及罩总成	
CYLINDER HEAD & COVER ASSEMBLY	1
2. 机体总成	
CYLINDER BLOCK ASSEMBLY	5
3. 凸轮轴总成	
CAMSHAFT ASSEMBLY	9
4. 曲轴飞轮总成	
CRANKSHAFT & FLYWHEEL ASSEMBLY	11
5. 活塞连杆总成	
PISTON & CONNECTING ROD ASSEMBLY	14
6. 齿轮系总成	
GEAR SYSTEM ASSEMBLY	16
7. 油底壳总成	
OIL SUMP ASSEMBLY	19
8. 正时齿轮室总成	
TIMING GEAR CASE ASSEMBLY	22
9. 后油封壳体总成	
REAR OIL SEAL HOUSING ASSEMBLY	25
10. 曲轴箱通风装置总成	
CRANKCASE VENTILATION ASSEMBLY	27

11. 空滤器总成	
AIR CLEANER ASSEMBLY	29
12. 进气管总成	
AIR INLET MANIPOLD ASSEMBLY	32
13. 排气系统总成	
EXHAUST SYSTEM ASSEMBLY	35
14. 燃油系统总成	
PUEL SYSTEM ASSEMBLY	38
15. 润滑系统总成	
LUBRICATING SYSTEM ASSEMBLY	42
16. 冷却系统总成	
COOLING SYSTEM ASSEMBLY	46
17. 电器系统总成	
ELECTRICAL SYSTEM ASSEMBLY	51
18. 增压器总成	
TURBOCHARGER ASSEMBLY	55
19. 支架底座总成	
BRACKET AND SUPPORT SEAT ASSEMBLY	59
20. 离合器总成	
CLUTCH ASSEMBLY	61

气缸盖及罩总成

CYLINDER HEAD & COVER ASSEMBLY



1. 气缸盖及罩总成

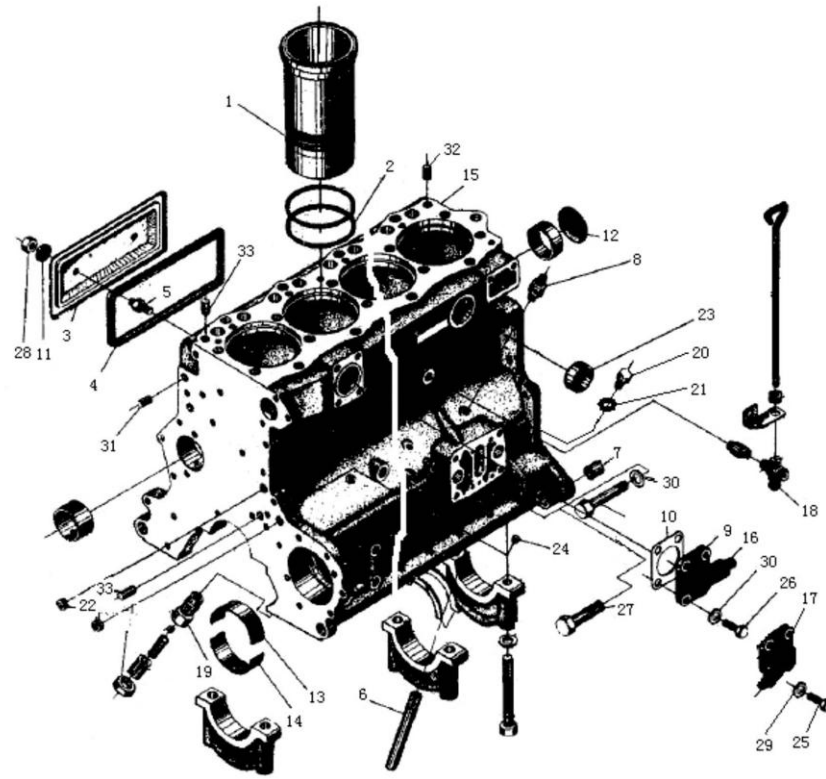
CYLINDER HEAD & COVER ASSEMBLY

柴油机型号 Model				4RMP	R4105ZP4	R4105ZP6	R6105P	R6105ZP1
供货号 Delivery No.								
序号 Item	图号 Part No.	名称 Description		每台数量 Qty per set				
1	R010001Y-1	进气门	Inlet valve	4	4	4	6	6
2	R010002-1	排气门	Exhaust valve	4	4	4	6	6
3	R010004-1	气门弹簧上座	Valve spring upper retainer	8	8	8	12	12
4	R010005	气门锁夹	Valve lock	8	8	8	12	12
5	R010006	气门杆护帽	Valve stem cap	8	8	8	12	12
6	R010007	气缸盖螺栓	Cylinder head bolt	18	18	18	26	26
7	R010008	喷油器压板	Cylinder plate,injector	4	4	4	6	6
8	R010009-1	吊耳	Lifting ring	2	2	2	2	2
9	4R010011-2	气缸盖垫片	Cylinder head gasket	1	1	1		
	6R010011-2	气缸盖垫片	Cylinder head gasket				1	1
10	R010012	气缸盖螺栓垫圈	Washer, cylinder head bolt	18	18	18	26	26
11	R010013	回水接头垫片	Gasket, water return pipe joint	1	1	1	1	1
12	R010015-1	进气门弹簧垫块	Bed plate, inlet valve spring	8	8	8	12	12
13	R010016	摇臂座螺柱	Stud, rocker arm seat	4	4	4	6	6
14	R010017	密封垫圈	Seal washer	4	4	4	6	6

柴油机型号 Model				4RMP	R4105ZP4	R4105ZP6	R6105P	R6105ZP1
供货号 Delivery No.								
序号 Item	图号 Part No.	名称 Description		每台数量 Q'ty per set				
15	R010018	喷油器压板螺柱	Clamping plate stud,injector	4	4	4	6	6
16	R010022	进排气门内弹簧	Inner spring,inlet & exhaust valve	8	8	8	12	12
17	R010023	进排气门外弹簧	Outer spring,inlet & exhaust valve	8	8	8	12	12
18	R010024	气门油封	Valve oil seal	8	8	8	12	12
19	R010025-A	盖形螺母	Acorn nut	4	4	4	6	6
20	4R010100Y	气缸盖机械加工部件	Cylinder head subassembly	1	1	1		
	6R010100Y	气缸盖机械加工部件	Cylinder head machined subassembly				1	1
21	4R010200	摇臂轴部件	Rocker arm shaft subassembly	1	1	1		
	6R010200	摇臂轴部件	Rocker arm subassembly				2	2
22	R010400-2	回水接头焊接部件	Welding part,water return pipe joint				1	
23	R010400-3	回水接头	Water return pipe joint	1	1	1		
24	4R1T010401	法兰	Flange					1
25	R010109	锥形螺塞	Conic plug	1	1	1	1	1
26	4R110100-1	气缸盖罩部件	Cylinder head cover subassembly	1	1	1		
	6R110100	气缸盖罩部件	Cylinder head cover subassembly					1
27	R080200-A	加油口盖部件	Cap , oil filler subassembly	1	1	1		
28	R080160-A	加油口滤网分部件	Strainer subassembly, oil filler	1	1	1		

柴油机型号 Model				4RMP	R4105ZP4	R4105ZP6	R6105P	R6105ZP1
供货号 Delivery No.								
序号 Item	图号 Part No.	名称 Description		每台数量 Qty per set				
29	4R110001-1	缸盖罩密封圈	Gasket,cylinder head cover	1	1	1		
	6R110001	气缸盖罩垫圈	Gasket,cylinder head cover					1
30	14×2.4GB1235-76	O型橡胶密封圈	""O""seal ring"	1	1	1	1	1
31	M10×20GB5783	全螺纹六角头螺栓	Full thread hex bolt	6	6	6	6	6
32	M10×80GB5782	六角头螺栓	Hex bolt	4	4	4	6	6
33	10GB848-140HV-Zn.D	小垫圈	Small washer	14	14	14	18	18
34	M10GB6170-Zn.D	六角螺母	Hex nut	4	4	4	6	6
35	M8GB55-8-HY	六角螺母	Hex nut	4	4	4	6	6
36	8GB849	球面垫圈	Spherical washer	4	4	4	6	6

机体总成
CYLINDER BLOCK ASSEMBLY



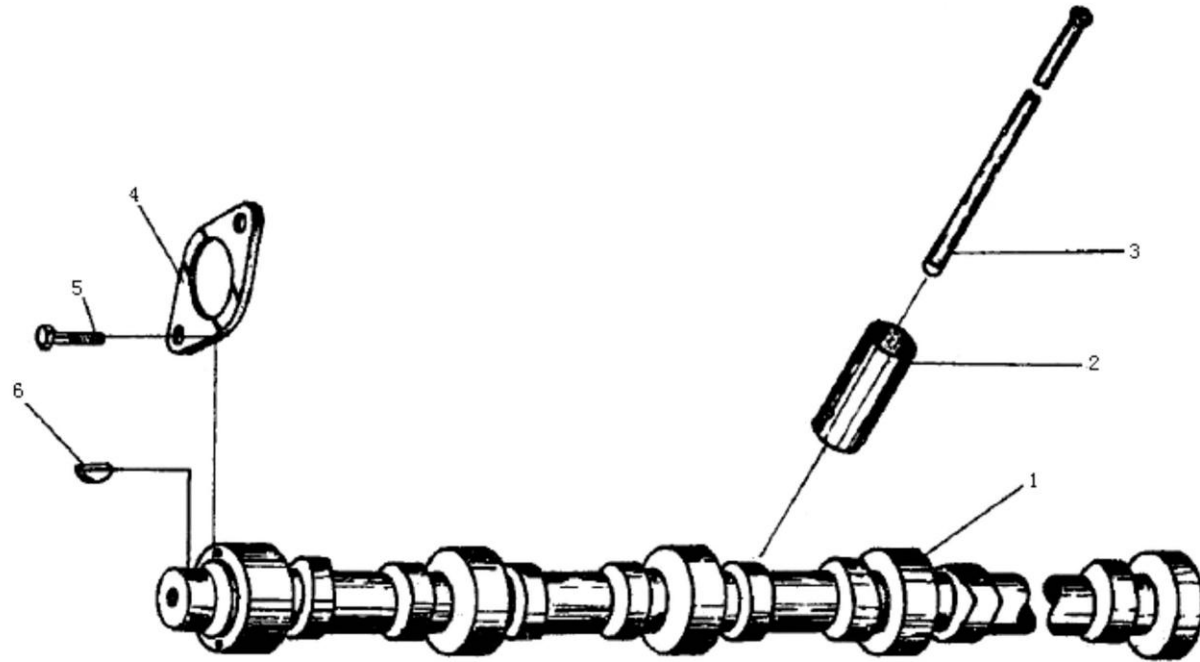
2. 机体总成
CYLINDER BLOCK ASSEMBLY

柴 油 机 型 号 Model				4RMP	R4105ZP4	R4105ZP6	R6105P	R6105ZP1
供 货 号 Delivery No.								
序号 Item	图号 Part No.	名 称 Description		每 台 数 量 Qty per set				
1	R1020001	气缸套	Cylinder liner	4	4	4	6	6
2	R1020003	气缸套第二,三槽 O 型密封圈	"O"seal ring,2nd & 3rd grooves	12	12	12	18	18
3	4RD020008	前推杆室盖	Front pushrod chamber cover	1	1	1		
	6R020008-A	前推杆室盖	Front pushrod chamber cover				1	1
4	6R020009	推杆室盖垫片	Gasket, front pushrod chamber cover				1	1
	495-01024(b)	侧盖板垫片	Side cover gasket	1	1	1		
5	R020011	推杆室螺柱	Stud,pushrod chamber	4	4	4	6	6
6	R020012	主油压溢流阀回油管	Oil drain tube,overflow valve	1	1	1		
7	R020015	空心定位销	Hollow dowel pin	2	2	2	2	2
8	3R1C2020016	油管接头	Oil pipe adapter	1	1	1	1	1
	4R1ZT2020016	油管接头	Oil pipe adapter	1	1	1	1	1
9	4R1T020017-A	供水接头座	Water supply joint seat					1
10	R020017	接头座垫片	Gasker,water supply joint seat	1	1	1	1	1
11	R020019	密封垫圈	Seal washer	4	4	4	6	6
12	R020024-1	凸轮轴孔闷塞	Plug,camshaft bore	1	1	1	1	1

柴油机型号 Model				4RMP	R4105ZP4	R4105ZP6	R6105P	R6105ZP1
供货号 Delivery No.								
序号 Item	图号 Part No.	名称 Description		每台数量 Q'ty per set				
13	R020041-JH	主轴承上瓦结合件	Main bearing	4	4	4	6	6
14	R020043-JH	主轴承止推瓦结合件	Thrust bearing	1	1	1	1	1
15	4R1020100-1-JH	机体机械加工部件结合件	Cylinder block subassembly	1	1	1		
	6R1020100-1-JH	机体机械加工部件结合件	Cylinder block subassembly				1	
	6R1Z020100-1-JH	机体机械加工部件	Cylinder block subassembly					1
16	R020200-1	冷却器供水接头部件	Oil cooler water supply joint subassembly				1	
17	4R5L020200	供水接头座部件	Water supply joint seat	1	1	1		
18	R020300	放水阀部件	Drain cock subassembly	1	1	1	1	1
19	R020500	超载溢流阀部件	Overflow valve subassembly	1	1	1	1	1
20	R6113ZLD020109	螺塞	Plug					1
21	14JB/T6013	垫圈	Washer					1
22	R010209	方槽锥形螺塞	Conic plug	2	4	4	2	4
23	R020108	碗型塞	Expansion plug	1	1	1	2	
24	195-01105	闷塞	Expansion plug	3	3	3	5	5
25	M10 × 20GB5783	全螺纹六角头螺栓	Full thread hex bolt				4	4
26	M10 × 25GB5783	全螺纹六角头螺栓	Full thread hex bolt	4	4	4		
27	M16 × 65GB5782	六角头螺栓	Hex bolt	2	2	2	2	2

柴油机型号 Model				4RMP	R4105ZP4	R4105ZP6	R6105P	R6105ZP1
供货号 Delivery No.								
序号 Item	图号 Part No.	名称 Description		每台数量 Qty per set				
28	M10GB923-Zn.D	盖形螺母	Acorn nut	4	4	4	6	6
29	10GB848-140HV-Zn.D	小垫圈	Small washer	4	4	4	4	4
30	16GB97-Zn.D	平垫圈	Plain washer	2	2	2	2	2
31	A10×20GB119	圆柱销	Dowel pin	1	1	1	1	1
32	A12×20GB119	圆柱销	Dowel pin	2	2	2	2	2
33	A12×25GB119	圆柱销	Dowel pin	1	1	1	1	1

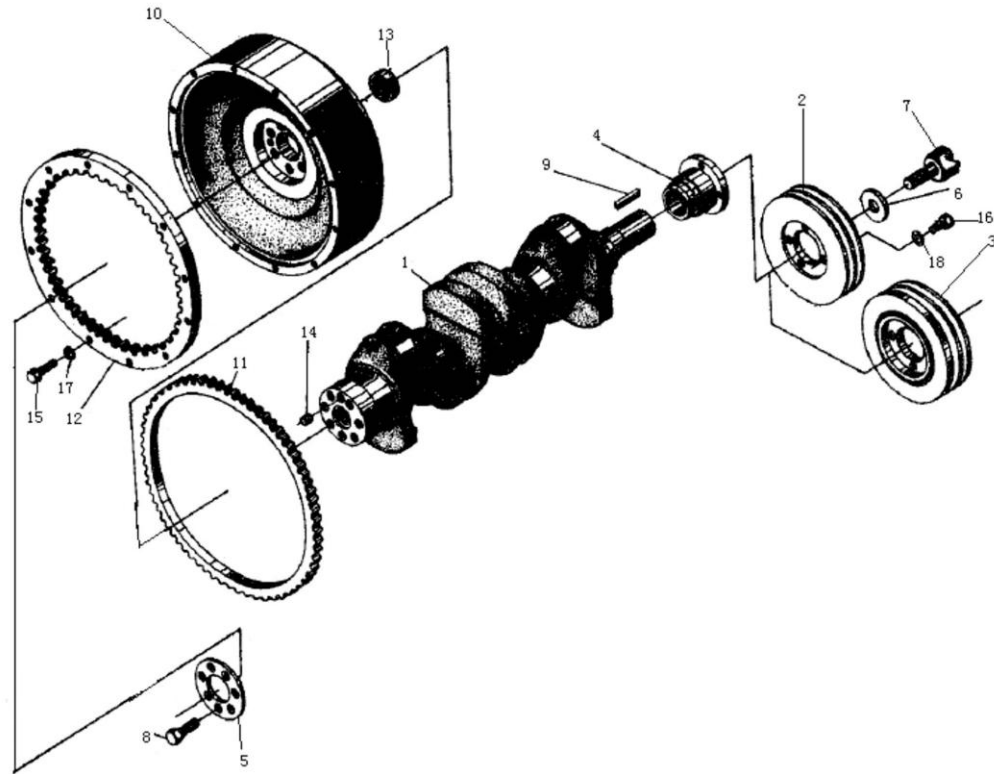
凸轮轴总成
CAMSHAFT ASSEMBLY



3. 凸轮轴总成
CAMSHAFT ASSEMBLY

柴 油 机 型 号 Model				4RMP	R4105ZP4	R4105ZP6	R6105P	R6105ZP1
供 货 号 Delivery No.								
序号 Item	图号 Part No.	名 称 Description		每 台 数 量 Qty per set				
1	4R030001Y	凸轮轴	Camshaft	1	1	1		
	6R030001y	凸轮轴	Camshaft				1	1
2	R030002	挺柱	Tappet	8	8	8	12	12
3	R030003	推杆	pushrod	8	8	8	12	12
4	R030004	凸轮轴止推板	Thrust plate,camshaft	1	1	1	1	1
5	M8 × 20GB5783	全螺纹六角头螺栓	Full thread hex bolt	2	2	2	2	2
6	6 × 22GB1099	半圆键	Woodruff key	1	1	1	1	1

曲轴飞轮总成
CRANKSHAFT & FLYWHEEL ASSEMBLY



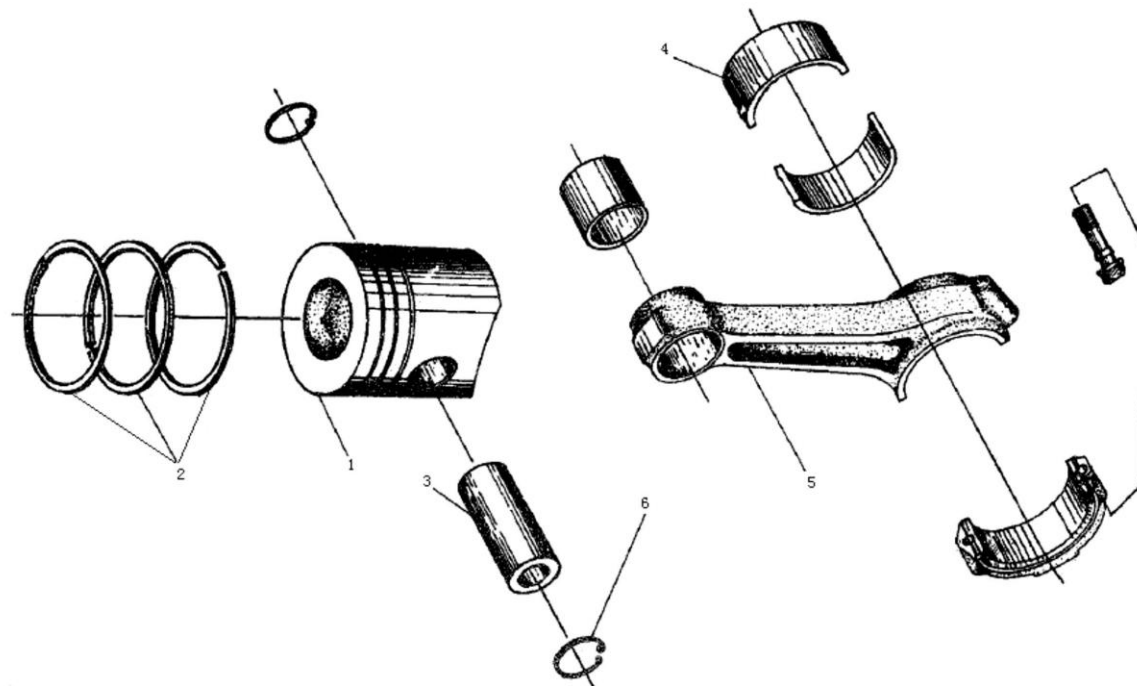
4. 曲轴飞轮总成

CRANKSHAFT & FLYWHEEL ASSEMBLY

柴 油 机 型 号 Model				4RMP	R4105ZP4	R4105ZP6	R6105P	R6105ZP1
供 货 号 Delivery No.								
序号 Item	图号 Part No.	名 称 Description		每 台 数 量 Qty per set				
1	4R040001-D	曲轴	Crankshaft	1	1	1		
	6R040001-D	曲轴	Crankshaft				1	1
2	R040003-A	曲轴皮带轮	Pulley,crankshaft	1	1	1	1	
3	6R040200	扭振减振器部件	Vibration damper					1
4	R040004-B	曲轴皮带轮轮毂	Hub,crankshaft pulley	1	1	1	1	1
5	R040005	飞轮螺栓垫板	Plate,flywheel bolt	1	1	1	1	1
6	R040007-A	曲轴皮带轮挡圈	Retainer ring,crankshaft	1	1	1	1	1
7	R040008-C	起动爪	Starting dog	1	1	1	1	1
8	R040009-1	飞轮螺栓	Flywheel bolt	7	7	7	7	7
9	R040015	半圆键	Woodruff key	1	1	1	1	1
10	R1P040101	飞轮	Flywheel	1	1	1	1	1
11	R040102	飞轮齿圈	Ring gear,flywheel	1	1	1	1	1
12	R1P040024	传动内齿圈	Driving inner ring gear	1	1	1	1	1
13	6205-RSGB276	单列向心球轴承	Ball bearing	1	1	1	1	1
14	A14 × 22GB119	圆柱销	Dowel pin	1	1	1	1	1

柴油型号 Model				4RMP	R4105ZP4	R4105ZP6	R6105P	R6105ZP1
供货号 Delivery No.								
序号 Item	图号 Part No.	名称 Description		每台数量 Q'ty per set				
15	M8 × 30GB5783	全螺纹六角头螺栓	Full thread hex bolt	12	12	12	12	12
16	M10 × 22GB5783	全螺纹六角头螺栓	Full thread hex bolt	4	4	4	4	4
17	8GB93	弹簧垫圈	Spring washer	12	12	12	12	12
18	10GB93	弹簧垫圈	Spring washer	4	4	4	4	4

活塞连杆总成
PISTON & CONNECTING ROD ASSEMBLY

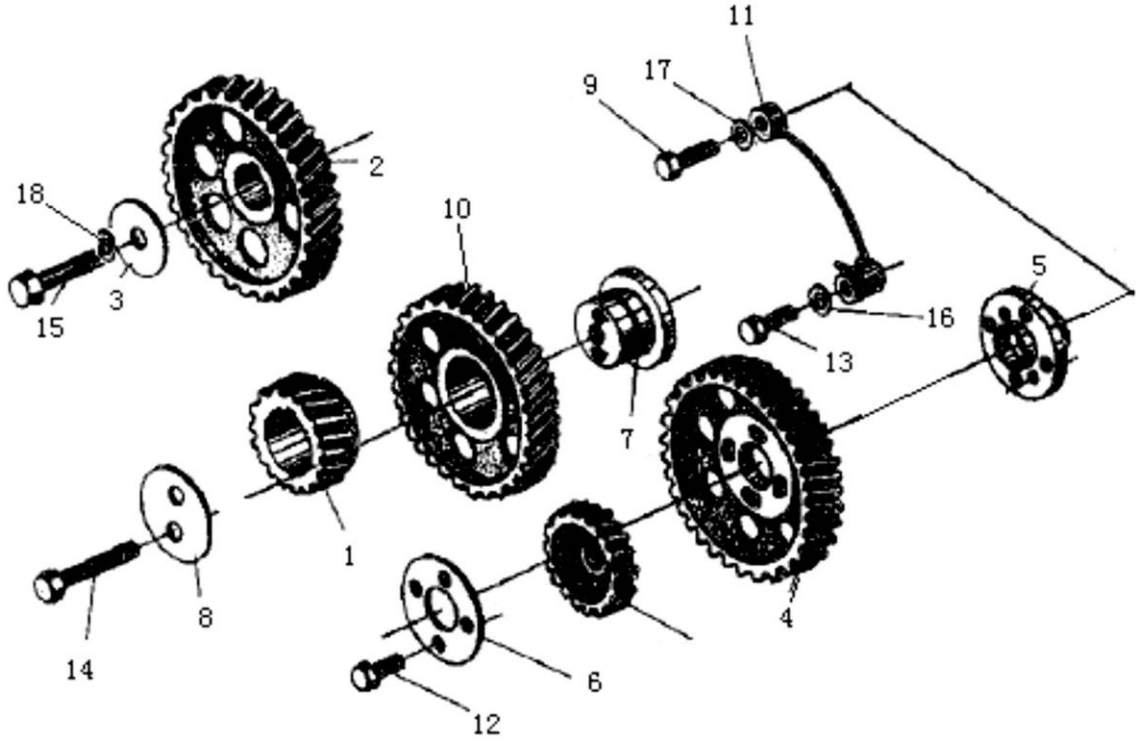


5. 活塞连杆总成

PISTON & CONNECTING ROD ASSEMBLY

柴 油 机 型 号 Model				4RMP	R4105ZP4	R4105ZP6	R6105P	R6105ZP1
供 货 号 Delivery No.								
序号 Item	图号 Part No.	名 称 Description		每 台 数 量 Q'ty per set				
1	R1050001	活塞	Piston	4			6	
	R1Z050001	活塞	Piston		4	4		6
2	R1050002-JH	活塞环结合件	Piston ring	4	4	4	6	6
3	R1050004	活塞销	Piston pin	4	4	4	6	6
4	R050005	连杆轴瓦	Connecting rod bearing	8			12	
	RZ050005	连杆轴瓦	Connecting rod bearing		8	8		12
5	R050100-B	连杆部件	Connecting rod subassembly	4	4	4	6	6
6	36GB893.1	孔用弹簧挡圈	Cirelips for holes	8	8	8	12	12

齿轮系总成
GEAR SYSTEM ASSEMBLY

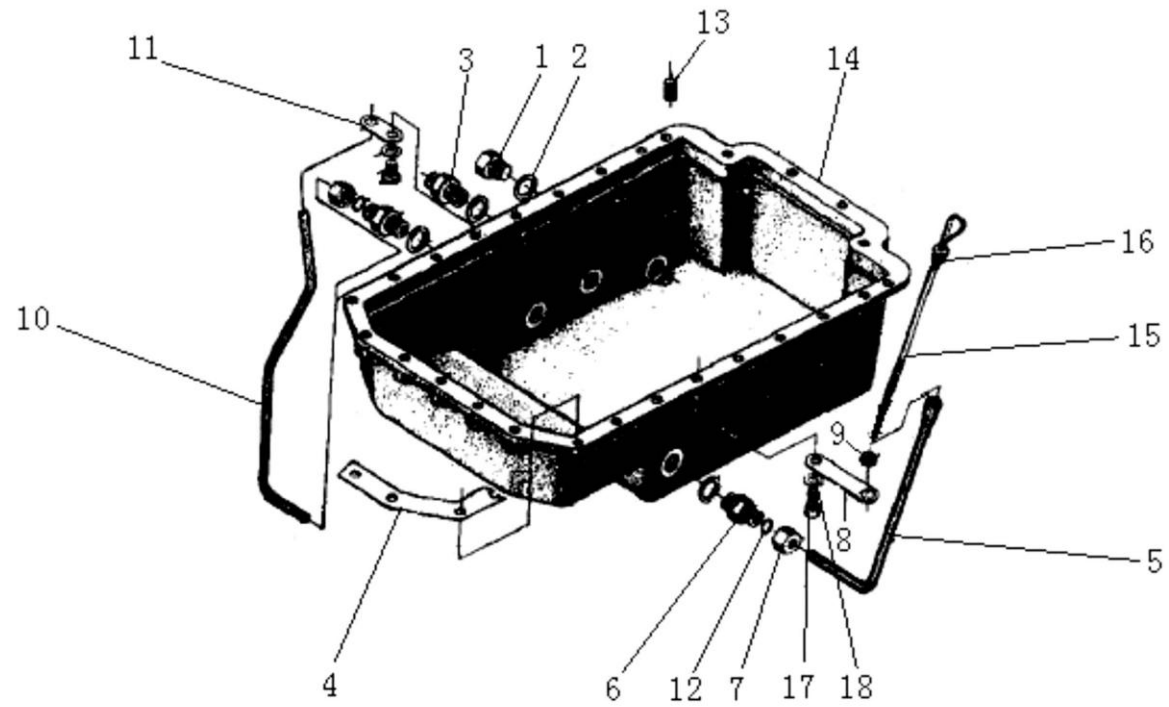


6. 齿轮系总成
CEAR SYSTEM ASSEMBLY

柴 油 机 型 号 Model				4RMP	R4105ZP4	R4105ZP6	R6105P	R6105ZP1
供 货 号 Delivery No.								
序号 Item	图号 Part No.	名 称 Description		每 台 数 量 Qty per set				
1	R060001-A	曲轴齿轮	Crankshaft gear	1	1	1	1	1
2	R060003-A	凸轮轴齿轮	Camshaft gear	1	1	1	1	1
3	R060004	凸轮轴齿轮挡圈	Camshaft gear retainer	1	1	1	1	1
4	R060005-A-1	喷油泵齿轮	Fuel injection pump gear	1	1	1	1	1
5	R060006-1-A	喷油泵齿轮轮毂 (配 A 型泵专用)	Fuel injection pump gear hub	1	1	1		
	R060006-1-B	喷油泵齿轮轮毂	Fuel injection pump gear hub				1	1
6	R060007-1	喷油泵齿轮压板	Plate,Fuel injection pump gear	1	1	1	1	1
7	R060009	惰齿轮轴	Idler gear shaft	1	1	1	1	1
8	R060011	惰齿轮止推板	Thrust plate,idler gear	1	1	1	1	1
9	R060012	正时齿轮润滑油道螺钉	Banjo bolt, timing gear lubricating oil passage	1	1	1	1	1
10	R060100-A	惰齿轮部件	Idler gear subassembly	1	1	1	1	1
11	R060200	齿轮润滑油管部件	Gear lubricating oil pipe subassembly	1	1	1	1	1
12	M8 × 25GB5783-10.9	全螺纹六角头螺栓	Full thread hex bolt	4	4	4	4	4
13	M8 × 40GB5783	全螺纹六角头螺栓	Full thread hex bolt	1	1	1	1	1
14	M10 × 65GB5782	六角头螺栓	Hex bolt	2	2	2	2	2

柴油机型号 Model				4RMP	R4105ZP4	R4105ZP6	R6105P	R6105ZP1
供货号 Delivery No.								
序号 Item	图号 Part No.	名称 Description		每台数量 Qty per set				
15	M12×55GB5782	六角头螺栓	Hex bolt	1	1	1	1	1
16	8GB848-140HV-Zn.D	小垫圈	Small washer	5	5	5	5	5
17	10GB848-140HV-Zn.D	小垫圈	Small washer	2	2	2	2	2
18	12GB93	弹簧垫圈	Spring washer	1	1	1	1	1

油底壳总成
OIL SUMP ASSEMBLY

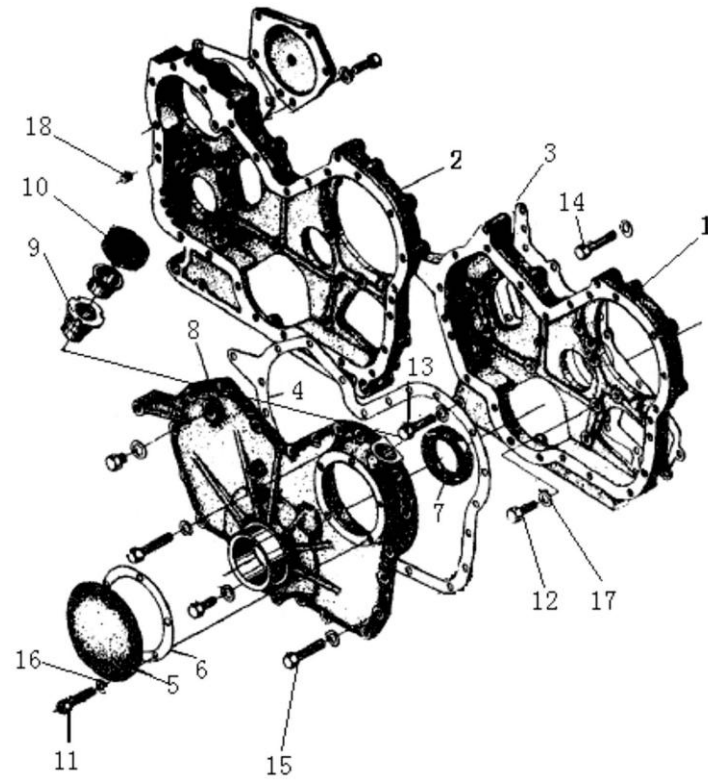


7. 油底壳总成
OIL SUMP ASSEMBLY

柴 油 机 型 号 Model				4RMP	R4105ZP4	R4105ZP6	R6105P	R6105ZP1
供 货 号 Delivery No.								
序号 Item	图号 Part No.	名 称 Description		每 台 数 量 Qty per set				
1	R070001-A	放油螺塞	Oil drain plug	1	1	1	1	1
2	R070002-1	螺塞垫圈	Washer,plug	4	4	4	4	4
3	R070003	温度表接头	Adapter,temperature gauge	1	1	1	1	1
4	4R070004	油底壳垫片	Gasket,oil sump	1	1	1		
	6R070004	油底壳垫片	Gasket,oil sump				1	1
5	R070008	油尺套管	Tube for dipstick	1	1	1	1	1
6	R070009	套管接头	Dipstick tube adapter	2	2	2	2	2
7	R070011	接头螺母	Nut,dipstick tube adapter	2	2	2	2	2
8	R070012	油尺套管支撑板	Support plate	1	1	1	1	1
9	R070013	橡胶圈	Rubber ring	2	2	2	2	2
10	R070014-1	分油器回油管	Oil drain pipe,oil separator	1	1	1	1	1
11	R070015	回油管支撑板	Support plate	1	1	1	1	1
12	R070021	复合胶圈	Composite rubber ring	2	2	2	2	2
13	R070022	圆柱销	Dowel pin				2	2
14	4R070100-1	油底壳焊接部件	Oil sump subassembly	1	1	1		

柴油机型号 Model				4RMP	R4105ZP4	R4105ZP6	R6105P	R6105ZP1
供货号 Delivery No.								
序号 Item	图号 Part No.	名称 Description		每台数量 Q'ty per set				
	6R070100-1	油底壳	Oil sump subassembly				1	1
15	R070250	油尺焊接分部件	Dipstick subassembly	1	1	1		
16	13 × 1.9GB1235-76	O 型橡胶密封圈	"O" seal ring	1	1	1		
17	M10 × 25GB21	全螺纹六角头螺栓	Full thread hex bolt	27	27	27	35	35
18	10GB848-140HV-Zn.D	小垫圈	Small washer	27	27	27	35	35

正时齿轮室总成
TIMING GEAR CASE ASSEMBLY

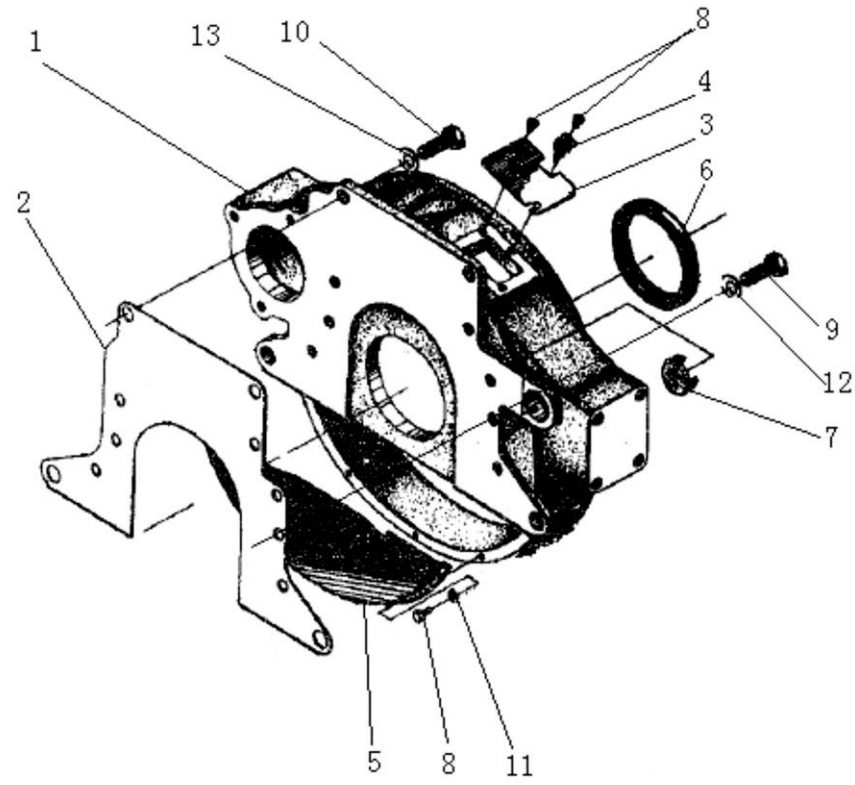


8. 正时齿轮室总成
TIMING GEAR CASE ASSEMBLY

柴 油 机 型 号 Model				4RMP	R4105ZP4	R4105ZP6	R6105P	R6105ZP1
供 货 号 Delivery No.								
序号 Item	图号 Part No.	名 称 Description		每 台 数 量 Q'ty per set				
1	R080001	正时齿轮室	Timing gear case	1			1	
2	RZ080001	正时齿轮室	Timing gear case		1	1		1
3	R080002	齿轮室垫片	Gasket,gear case	1	1	1	1	1
4	R080003	齿轮室盖垫片	Gasket,gear case cover	1	1	1	1	1
5	R080004	喷油泵检查孔盖	Cover,pump inspection window	1	1	1	1	1
6	R080005	喷油泵检查孔盖垫片	Gasket,pump inspecting window cover	1	1	1	1	1
7	R080006-A	曲轴前油封	Front oil seal,crankshaft	1	1	1	1	1
8	R080101	正时齿轮室盖	Cover,timing gear case	1	1	1	1	1
9	R080301-JH	加油口接管结合件	Oil filler pipe	1	1	1	1	1
10	R080303	加油口盖	Oil filler cap	1	1	1	1	1
11	M8 × 20GB5783	全螺纹六角头螺栓	Full thread hex bolt	5	5	5	5	5
12	M10 × 30GB5783	全螺纹六角头螺栓	Full thread hex bolt	19	19	19	19	19
13	M10 × 45GB5783	全螺纹六角头螺栓	Full thread hex bolt	1	1	1	1	1
14	M10 × 60GB5782	六角头螺栓	Hex bolt	1	1	1	1	1
15	M10 × 70GB5782	六角头螺栓	Hex bolt	10	10	10	10	10

柴油机型号 Model				4RMP	R4105ZP4	R4105ZP6	R6105P	R6105ZP1
供货号 Delivery No.								
序号 Item	图号 Part No.	名称 Description		每台数量 Qty per set				
16	8GB848-140HV-Zn.D	小垫圈	Small washer	5	5	5	5	5
17	10GB848-140HV-Zn.D	小垫圈	Small washer	31	31	31	31	31
18	A8 x 16GB119	园柱销	Dowel pin	2	2	2	2	2

后油封壳体总成
REAR OIL SEAL HOUSING ASSEMBLY

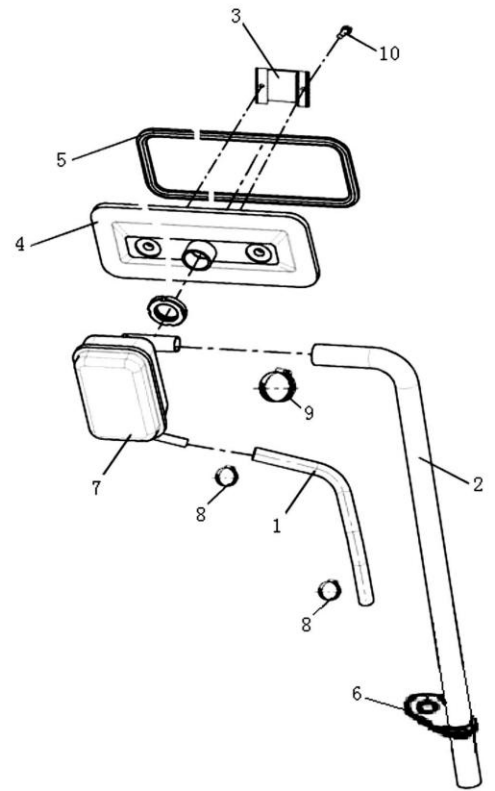


9. 后油封壳体总成

REAR OIL SEAL HOUSING ASSEMBLY

柴油机型号 Model				4RMP	R4105ZP4	R4105ZP6	R6105P	R6105ZP1
供货号 Delivery No.								
序号 Item	图号 Part No.	名称 Description		每台数量 Qty per set				
1	R090001	飞轮壳	Flywheel housing	1	1	1	1	1
2	R090002	飞轮壳垫片	Gasket,flywheel housing	1	1	1	1	1
3	R090003-1	检视窗盖	Cover,inspection window	1	1	1	1	1
4	R090004-1	指针	Pointer	1	1	1	1	1
5	R090005-A	盖板	Cover	1	1	1	1	1
6	R090006-A	曲轴后油封	Rear oil seal, crankshaft	1	1	1	1	1
7	R090007-1	堵塞	Plug	1	1	1	1	1
8	M6 × 12GB5783	全螺纹六角头螺栓	Full thread hex bolt	8	8	8	8	8
9	M10 × 30GB5783	全螺纹六角头螺栓	Full thread hex bolt	7	7	7	7	7
10	M14 × 35GB5783	全螺纹六角头螺栓	Full thread hex bolt	2	2	2	2	2
11	6GB97.1-140HV-Zn.D	平垫圈	Plain washer	5	5	5	5	5
12	10GB848-140HV-Zn.D	小垫圈	Small plain washer	7	7	7	7	7
13	14GB848-140HV-Zn.D	小垫圈	Small plain washer	2	2	2	2	2

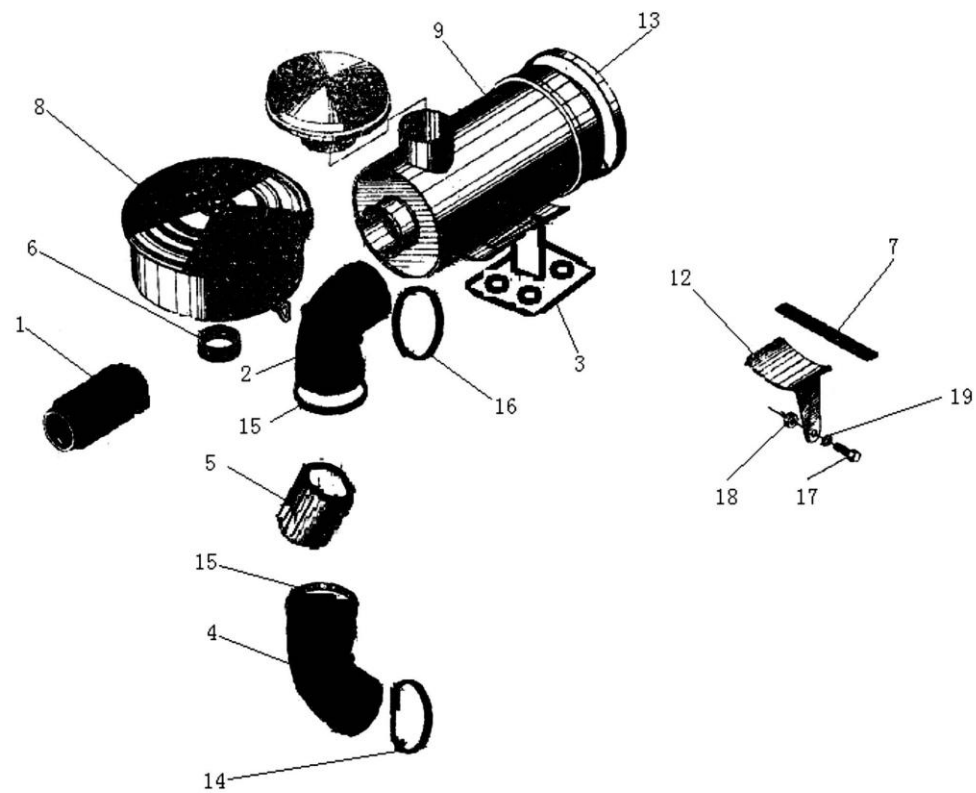
曲轴箱通风装置总成
CRANKCASE VENTILATION ASSEMBLY



10. 曲轴箱通风装置总成
CRANKCASE VENTILATION ASSEMBLY

柴 油 机 型 号 Model				4RMP	R4105ZP4	R4105ZP6	R6105P	R6105ZP1
供 货 号 Delivery No.								
序号 Item	图号 Part No.	名 称 Description		每 台 数 量 Qty per set				
1	4R120001	接头胶管	Connecting hose	1	1	1		
	6R120001	接头胶管	Connecting hose				1	1
2	4R1T120011	出气胶管	Oil gas rubber hose	1	1	1		
	6R120006	接头胶管	Connecting hose				1	1
3	R120007-A	后推杆室隔板	Rear pushrod chamber baffle plate	1	1	1	1	1
4	4R120008	后推杆室盖	Rear pushrod chamber cover	1	1	1		
	6R120008	后推杆室盖	Rear pushrod chamber cover				1	1
5	495-01024(b)	侧盖板垫片	Gasket,upper side cover	1	1	1		
	6R020009	推杆室盖垫片	Pushrod chamber gasket				1	1
6	6R1Q3120021	管卡	Pipe clamp	1	1	1	1	1
7	R120100	通风装置焊合件	Ventilation device subassembly	1	1	1	1	1
8	R120400	胶管夹箍部件	Hose clamp subassembly	2	2	2	2	2
9	φ 22-32Q67532	胶管夹箍	Hose clamp	1	1	1	1	1
10	M6 × 8GB818	十字花盘头螺钉	Screw	2	2	2	2	2

空滤器总成
AIR CLEANER ASSEMBLY

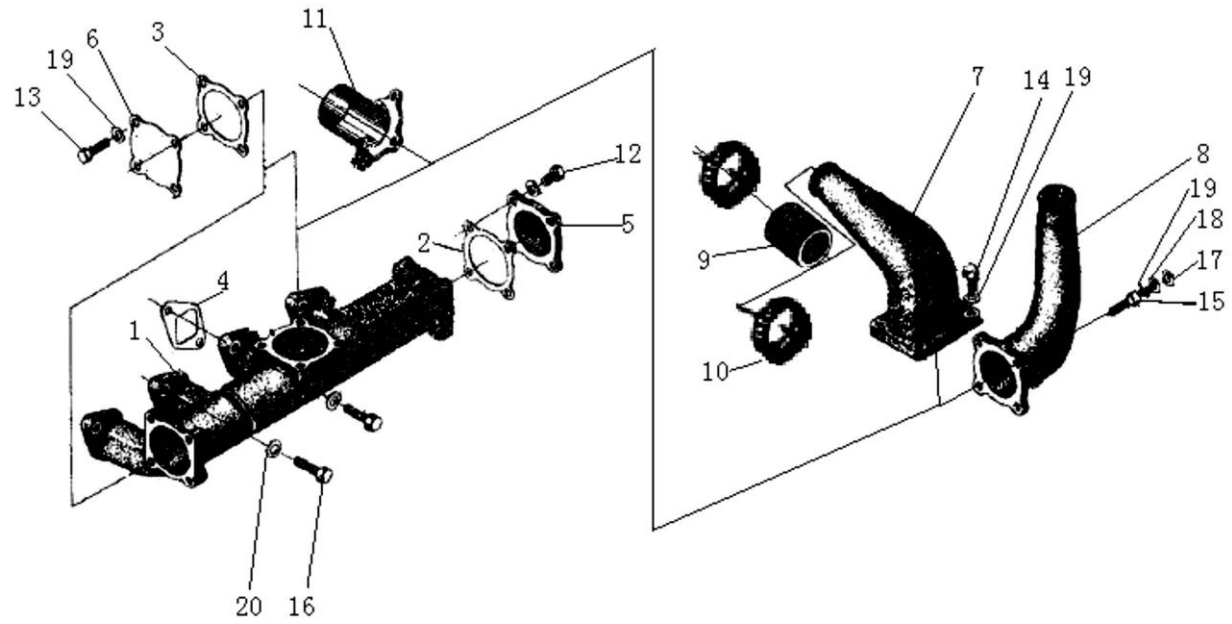


11. 空滤器总成
AIR CLEANER ASSEMBLY

柴油机型号 Model				4RMP	R4105ZP4	R4105ZP6	R6105P	R6105ZP1
供货号 Delivery No.								
序号 Item	图号 Part No.	名称 Description		每台数量 Qty per set				
1	4RZG210001	胶管	Rubber hose		1	1		
2	6R1ZD1210001-1	空滤连接胶管 I	Connecting rubber hose I,air cleaner					1
3	6R1ZD1210002-1	空气滤清器支架	Air cleaner support					1
4	6R1ZD1210005	空滤连接胶管 II	Connecting rubber hose II,air cleaner					1
5	6R1ZD1210006	空滤胶管衬套	Bushing,air cleaner rubber hose					1
6	4RD210022	空滤接管衬套	Bushing,air cleaner rubber hose	1			2	
7	6R1Q210024	空滤卡箍垫片	Clamp gasket,air cleaner		1	1		
	6R1ZD1210024	空滤卡箍垫片	Clamp gasket,air cleaner					2
8	495Z-07100	K2410 空气滤清器部件	Air cleaner subassembly	1			2	
9	4R1ZD1210100	空气滤清器部件	Air cleaner subassembly		1	1		
	6R1Z210100	空气滤清器部件	Air cleaner subassembly					1
10	6R210300	胶管卡箍	Hose clamp		2	2		
12	4RZ210400	空滤器支架焊合件	Air cleaner support welding part		1	1		
13	6R1Q210500	空滤卡箍部件	Air cleaner clamp subassembly		1	1		
	6R1Z210500	空滤卡箍部件	Air cleaner clamp subassembly					2

柴油机型号 Model				4RMP	R4105ZP4	R4105ZP6	R6105P	R6105ZP1
供货号 Delivery No.								
序号 Item	图号 Part No.	名称 Description		每台数量 Q'ty per set				
14	GB566-83 B 型 (φ 76-92)	胶管卡箍	Hose clamp					1
15	GB566-83 B 型 (φ 90-100)	胶管卡箍	Hose clamp					2
16	GB566-83 B 型 (φ 100-120)	胶管卡箍	Hose clamp					1
17	M8 × 20GB5783	全螺纹六角头螺栓	Full thread hex bolt		2	2		4
18	4RZ730014	垫圈	Washer		2	2		
19	8GB848-140HV-Zn.D	小垫圈	Small washer		2	2		4

进气管总成
AIR INLET MANIPOLD ASSEMBLY



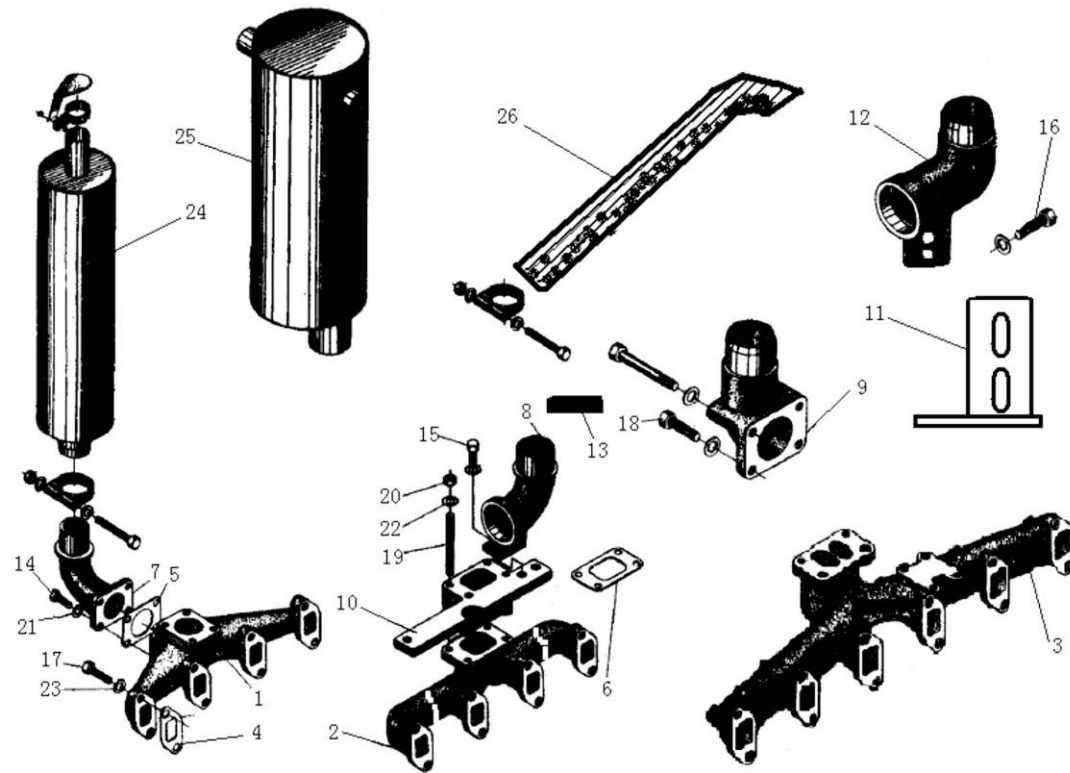
12. 进气管总成

AIR INLET MANIPOLD ASSEMBLY

柴 油 机 型 号 Model				4RMP	R4105ZP4	R4105ZP6	R6105P	R6105ZP1
供 货 号 Delivery No.								
序号 Item	图号 Part No.	名 称 Description		每 台 数 量 Q'ty per set				
1	4R220001-1-A	进气管	Inlet manifold	1	1	1		
	6R220001	进气管	Inlet manifold				1	
	6R1G5220001	进气管	Inlet manifold					1
2	4R220002-1	进气接管垫片	Gasket,air inlet connecting pipe	3	3	3		
3	6R220002	进气接管垫片	Gasket,air inlet connecting pipe				4	4
	6R1G5220002	进气接管垫片	Gasket,air inlet connecting pipe					1
4	R220003	进气歧管垫片	Inlet manifold gasket	4	4	4	6	6
5	4R220005-A	进气管盖板	Cover,inlet manifold	2	2	2		
6	6R220005	进气管盖板	Cover,inlet manifold				2	
	6R1ZLD220005	进气管盖板	Cover,inlet manifold					2
	6R1ZLD220006	进气管盖板	Cover,inlet manifold					1
7	4RZD220021	进气联接管	Air inlet connecting pipe		1	1		
8	6R1Z220021	进气连接管	Air inlet connecting pipe					1
9	4RZD220022	胶管	Rubber hose		1	1		
	495ZD-1-07022	进气胶管	Air inlet rubber hose					1

柴油机型号 Model				4RMP	R4105ZP4	R4105ZP6	R6105P	R6105ZP1
供货号 Delivery No.								
序号 Item	图号 Part No.	名称 Description		每台数量 Q'ty per set				
10	4R210300	胶管卡箍	Hose clamp		2	2		2
11	4R220100-1-A	进气接管部件	Air inlet connecting pipe subassembly	1				
	6RD220100-2	进气连接管部件	Air inlet connecting pipe subassembly				2	
12	M8 × 16GB5783	全螺纹六角头螺栓	Full thread hex bolt	12	4	4		
13	M8X20GB5783	全螺纹六角头螺栓	Full thread hex bolt				16	12
14	M8 × 25GB5783	全螺纹六角头螺栓	Full thread hex bolt		4	4		7
15	M8 × 25GB898-HY	双头螺栓	Stud					1
16	M10 × 35GB5783	全螺纹六角头螺栓	Full thread hex bolt	8	8	8	12	12
17	M8GB6178	螺母	Hex nut					1
18	8GB93	弹簧垫圈	Spring washer					1
19	8GB848-140HV-Zn.D	小垫圈	Small washer	12	8	8	16	20
20	10GB848-140HV-Zn.D	小垫圈	Small washer	8	8	8	12	12

排气系统总成
EXHAUST SYSTEM ASSEMBLY

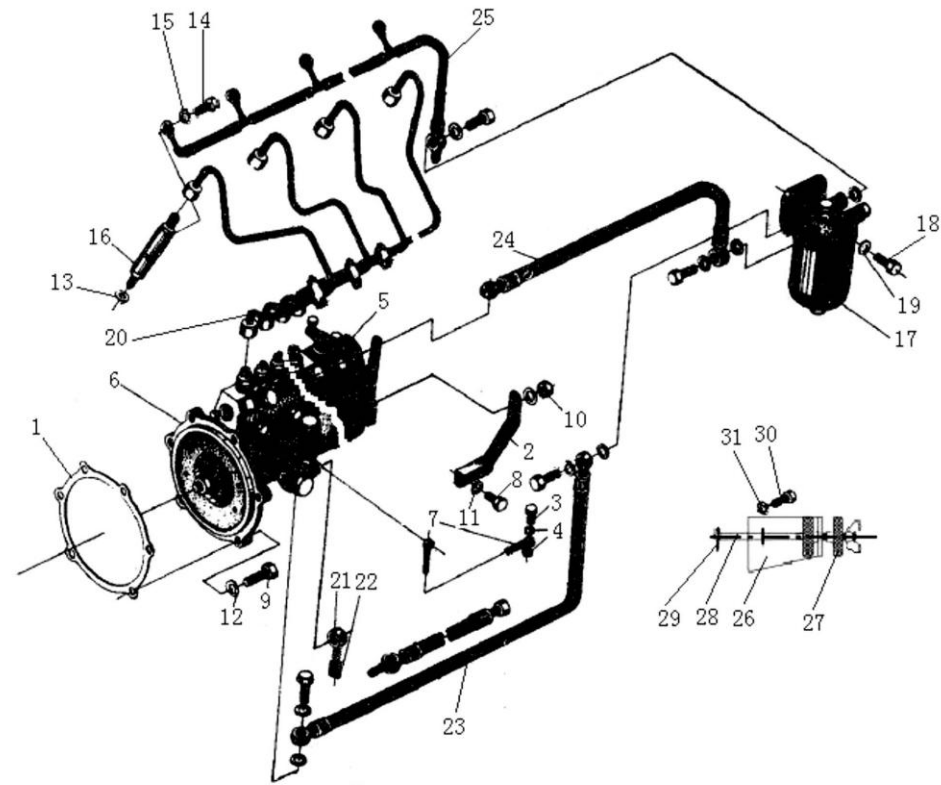


13. 排气系统总成
EXHAUST SYSTEM ASSEMBLY

柴 油 机 型 号 Model				4RMP	R4105ZP4	R4105ZP6	R6105P	R6105ZP1
供 货 号 Delivery No.								
序号 Item	图号 Part No.	名 称 Description		每 台 数 量 Qty per set				
1	4R230001	排气管	Exhaust manifold	1				
2	4RZD230001	排气管	Exhaust manifold		1	1		
	6R230001	排气管	Exhaust manifold				1	
3	6RZ230001	排气管	Exhaust manifold					1
4	R230002	排气歧管垫片	Exhaust manifold gasket	4	4	4	6	6
5	4R230003	排气接管垫片	Gasket,exhaust connecting pipe	1				
6	6R230003	排气接管垫片	Gasket,exhaust connecting pipe				1	
	4RZD730001	增压器垫片	Turbocharger gasket		2	2		
7	495-08002	排气弯管	Exhaust elbow	1				
8	4RZD230104	排气弯管	Exhaust elbow		1	1		
9	6R230004	排气接管	Exhaust elbow				1	
10	4R1ZD1230102	排气接管	Exhaust elbow		1	1		
11	6R1ZD1230102	增压器排气接管支座	Seat,turbocharger exhaust connecting pipe					1
12	6R1ZD1230101-1	增压器排气接管	Turbocharger exhaust connecting pipe					1
13	R940203	防护套	Protection cover		1	1		

柴油机型号 Model				4RMP	R4105ZP4	R4105ZP6	R6105P	R6105ZP1
供货号 Delivery No.								
序号 Item	图号 Part No.	名称 Description		每台数量 Q'ty per set				
14	M8 × 25GB5783	全螺纹六角头螺栓	Full thread hex bolt	4				
15	M10 × 25GB5783	全螺纹六角头螺栓	Full thread hex bolt		2	2		
16	M10 × 30GB5783	全螺纹六角头螺栓	Full thread hex bolt					4
17	M10 × 35GB5783	全螺纹六角头螺栓	Full thread hex bolt	8	8	8	14	12
18	M10 × 85GB5782	六角头螺栓	Hex bolt				4	
19	AM10 × 110GB898-A2-70	双头螺柱	Stud		4	4		
20	M10GB6170-A2-70	不锈钢六角头螺母	Stainless steel hex nut		4	4		
21	8GB848-140HV-Zn.D	小垫圈	Small washer	4				
22	10GB848-140HV-Zn.D	小垫圈	Small washer	8	14	14	16	16
23	10GB93	弹簧垫圈	Spring washer		12	12		12
24	4R240000	消声器总成	Silencer assembly	1				
25	4RZ240000	消声器总成	Silencer assembly		1	1	1	
26	6R1ZD1240000	增压器尾管部件	Turbocharger tail pipe					1

燃油系统总成
FUEL SYSTEM ASSEMBLY



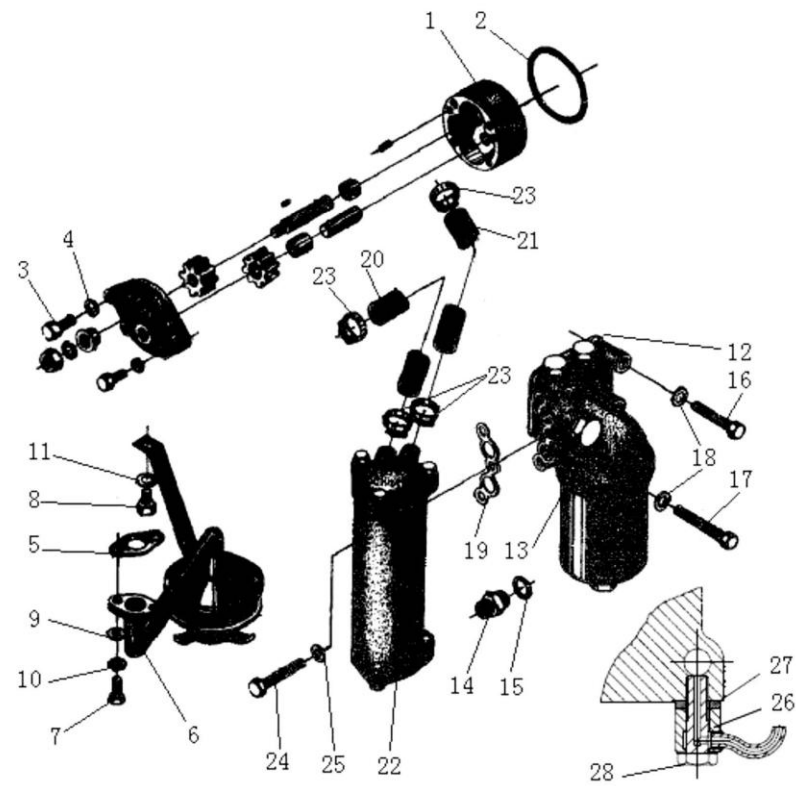
14. 燃油系统总成
PUEL SYSTEM ASSEMBLY

柴 油 机 型 号 Model				4RMP	R4105ZP4	R4105ZP6	R6105P	R6105ZP1
供 货 号 Delivery No.								
序号 Item	图号 Part No.	名 称 Description		每 台 数 量 Q'ty per set				
1	R310001	喷油泵垫片	Gasket,fuel injection pump	1	1	1	1	1
2	4R310002-A	喷油泵辅助支架	Auxiliary bracket for fuel injection pump	1	1	1		
	6R310002-A	喷油泵辅助支架	Auxiliary bracket for fuel injection pump				1	1
3	R310003	管接螺钉	Banjo bolt				1	1
4	R310004	垫圈	Washer				2	2
5	495-10002	密封套筒	Seal sleeve				1	1
6	4R1T310100-A	喷油泵部件	Fuel injection pump subassembly	1				
	4RZD310100-A	喷油泵部件	Fuel injection pump subassembly		1	1		
	6R1ZD1310100	喷油泵部件	Fuel injection pump subassembly					1
	6R1G1310100-A	喷油泵部件	Fuel injection pump subassembly				1	
7	4R1ZT2310200	喷油泵润滑油管部件	Lubricating pipe subassembly,fuel injection pump	1	1	1	1	1
8	M8 × 20GB5783	全螺纹六角头螺栓	Full thread hex bolt	2	2	2	2	2
9	M10 × 30GB5783	全螺纹六角头螺栓	Full thread hex bolt	4	4	4	4	4
10	M10GB6170-Zn.D	六角螺母	Hex nut	1	1	1	1	1
11	8GB848-140HV-Zn.D	小垫圈	Small washer	2	2	2	2	2

柴油机型号 Model				4RMP	R4105ZP4	R4105ZP6	R6105P	R6105ZP1
供货号 Delivery No.								
序号 Item	图号 Part No.	名称 Description		每台数量 Qty per set				
12	10GB848-140HV-Zn.D	小垫圈	Small washer	4	4	4	4	4
13	R320001	喷油器密封垫	Injector seal washer	4	4	4	4	4
14	R320002	管接螺钉	Banjo bolt	4	4	4	4	4
15	R320003	垫圈	Washer	8	8	8	8	8
16	R1320100	喷油器部件	Injector subassembly	4	4	4	4	4
17	6R330100	柴油滤清器部件	Fuel filter subassembly	1	1	1	1	1
18	M8 × 25GB5783	全螺纹六角头螺栓	Full thread hex bolt	2	2	2	2	2
19	8GB848-140HV-Zn.D	小垫圈	Small washer	2	2	2	2	2
20	4R340000-A	高压油管总成	High pressure fuel pipe assembly	1	1	1		
	6R340000-A	高压油管总成	High pressure fuel pipe assembly				1	1
21	R350101	接头圈	Connector ring	1	1	1		1
	4R350101	接头圈	Connector ring				1	
22	495-10632	油堵	Oil plug	1	1	1	1	1
	4R5L310104	油堵	Oil plug	1	1	1	1	1
23	4R1ZT2350200	滤清器进油管部件	Fuel inlet pipe,fuel filter	1	1	1		
	6R1G20350200	滤清器进油管部件	Fuel inlet pipe,fuel filter				1	1
24	4RD350200-A	滤清器进油管部件	Fuel inlet pipe,fuel filter	1	1	1		

柴油机型号 Model				4RMP	R4105ZP4	R4105ZP6	R6105P	R6105ZP1
供货号 Delivery No.								
序号 Item	图号 Part No.	名称 Description		每台数量 Q'ty per set				
	6R1G20350300	喷油泵进油管部件	Fuel inlet pipe,fuel injection pump				1	1
25	4R350400-A-1	喷油嘴回油管部件	Fuel return pipe,injector	1	1	1		
	6R350400-A	喷油器回油管部件	Fuel return pipe,injector				1	1
26	RD370006	调速板	Governing plate	1	1	1	1	1
27	RD370007	手轮	Handwheel	2	2	2	2	2
28	4RD370009-A	调节杆	Adjusting rod	1	1	1		
	6RD370009-A	调节杆	Adjusting rod				1	1
29	1.6X12GB91-Zn.D	开口销	Split pin	1	1	1	1	1
30	M6 × 50GB5783	全螺纹六角头螺栓	Full thread hex bolt	2	2	2	2	2
31	6GB93	弹簧垫圈	Spring washer	2	2	2	2	2

润滑系统总成
LUBRICATING SYSTEM ASSEMBLY

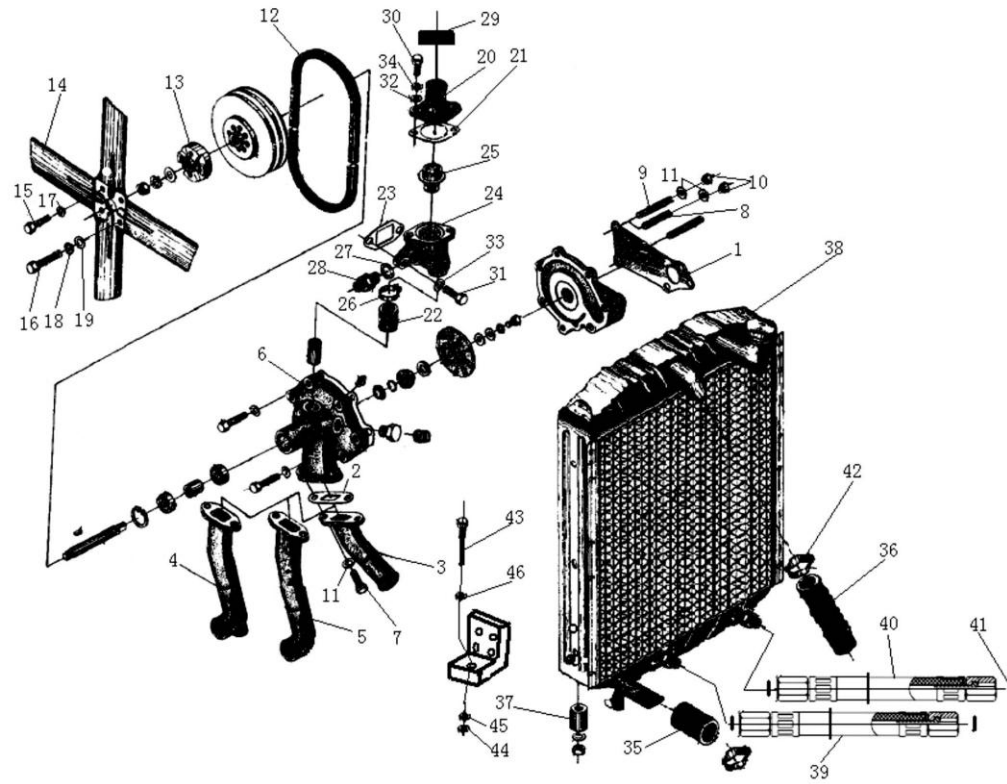


15. 润滑系统总成
LUBRICATING SYSTEM ASSEMBLY

柴 油 机 型 号 Model				4RMP	R4105ZP4	R4105ZP6	R6105P	R6105ZP1
供 货 号 Delivery No.								
序号 Item	图号 Part No.	名 称 Description		每 台 数 量 Q'ty per set				
1	4R410100-2	机油泵	Oil pump	1				
	6R410100-2	机油泵	Oil pump		1	1	1	
	6R1ZD1410100	机油泵	Oil pump					1
2	100×3.1GB1235-76	O 型橡胶密封圈	""O""seal ring'	2	2	2	2	2
3	M10×30GB5783	全螺纹六角头螺栓	Full thread hex bolt	2	2	2	2	2
4	10GB93	弹簧垫圈	Spring washer	2	2	2	2	2
5	4R420001	吸油管法兰垫片	Gasket,oil suction pipe flange	1	1	1	1	1
6	4R420100-1-JH	吸油管部件	Oil suction pipe subassembly	1	1	1		
	6R420100-2-JH	吸油管部件	Oil suction pipe subassembly				1	1
7	M8×25GB5783	全螺纹六角头螺栓	Full thread hex bolt	2	2	2	2	2
8	M10×16GB5783	全螺纹六角头螺栓	Full thread hex bolt	1	1	1	1	1
9	8GB848-140HV-Zn.D	小垫圈	Small washer	2	2	2	2	2
10	8GB93	弹簧垫圈	Spring washer	2	2	2	2	2
11	10GB848-140HV-Zn.D	小垫圈	Small washer	1	1	1	1	1
12	R430001-1	机油滤座垫片	Gasket,oil filter seat'	1	1	1	1	1

柴 油 机 型 号 Model				4RMP	R4105ZP4	R4105ZP6	R6105P	R6105ZP1
供货号 Delivery No.								
序号 Item	图号 Part No.	名称 Description		每台数量 Qty per set				
13	4R430100	机油滤清器部件	Oil filter subassembly	1	1	1	1	
	6R1ZD1430100	机油滤清器部件	Oil filter subassembly					1
14	6R1ZD1430011	油管接头	Adaptor,oil pipe					2
15	R070002-1	螺塞垫圈	Washer					2
16	M10×60GB5782	六角头螺栓	Hex bolt	3	3	3	3	3
17	M10×85GB5782	六角头螺栓	Hex bolt	1	1	1	1	1
18	10GB848-140HV-Zn.D	小垫圈	Small washer	4	4	4	4	4
19	4R450001	冷却器垫片	Oil cooler gasket	1	1	1	1	
20	4R450003-1	进水管	Water inlet hose				1	
	4R5D-P450003	进水管	Water inlet hose	1	1	1		
21	4R450004-1	出水管	Water outlet hose	1	1	1		
	6R450004	出水管	Water outlet hose				1	
22	4R450100B	机油冷却器部件	Oil cooler subassembly	1	1	1	1	
23	φ30 卡箍	钢丝式卡箍	Clamp	4	4	4	4	
24	M10×60GB5782	六角头螺栓	Hex bolt	3	3	3	3	
25	10GB848-140HV-Zn.D	小垫圈	Small washer	3	3	3	3	
26	R2Z470100	喷嘴部件	Cooling nozzle subassembly		4	4		6

冷却系统总成
COOLING SYSTEM ASSEMBLY



16. 冷却系统总成
COOLING SYSTEM ASSEMBLY

柴 油 机 型 号 Model				4RMP	R4105ZP4	R4105ZP6	R6105P	R6105ZP1
供 货 号 Delivery No.								
序号 Item	图号 Part No.	名 称 Description		每 台 数 量 Q'ty per set				
1	R510007	垫片	Gasket	1	1	1	1	1
2	R510009	垫片	Gasket	1	1	1	1	1
3	R510011	接管	Connecting pipe					
4	RD510011	接管	Connecting pipe	1				
5	6R1P510011	水泵接管	Water pump connecting pipe		1	1	1	
6	R510100	水泵部件	Water pump subassembly	1			1	1
	4R1L1510100	水泵部件	Water pump subassembly		1	1		
7	M10 × 25GB21	全螺纹六角头螺栓	Full thread hex bolt	2	2	2	2	2
8	AM10 × 80GB898-8.8-HY	双头螺柱	Stud	3	3	3	3	3
9	AM10 × 85GB898-8.8-HY	双头螺柱	Stud	1	1	1	1	1
10	M10GB6170-Zn.D	六角螺母	Hex nut	4	4	4	4	4
11	10GB848-140HV-Zn.D	小垫圈	Small washer	6	6	6	6	6
12	R520001	传动皮带	Belt	2	2		2	2
13	4R520003	垫块	Bed plate	1				
	4R1ZD1520003	垫块	Bed plate		1	1	1	1

柴 油 机 型 号 Model				4RMP	R4105ZP4	R4105ZP6	R6105P	R6105ZP1
供货号 Delivery No.								
序号 Item	图号 Part No.	名称 Description		每台数量 Q'ty per set				
14	495-06120(B)	风扇组件	Fan subassembly	1				
	4R1ZD1520100	风扇部件	Fan subassembly		1	1		
	6R1ZD520100	风扇部件	Fan subassembly					1
	6R520100	风扇部件	Fan subassembly				1	
15	M8 × 40GB5783	全螺纹六角头螺栓	Full thread hex bolt	4			4	
16	M10 × 40GB21	六角头螺栓	Hex bolt		4	4		4
17	8GB93	弹簧垫圈	Spring washer	4				
18	10GB93	弹簧垫圈	Spring washer		4	4	4	4
19	10GB848-140HV-Zn.D	小垫圈	Small washer		4	4	4	4
20	4R530001	节温器盖	Thermostat cover	1				
	6R1G5530001	节温器盖	Thermostat cover		1	1	1	1
21	R530002	垫片	Gasket	1	1	1	1	1
22	R530003	软管	Connecting hose	1	1	1	1	1
23	R530004	垫片	Gasket	1	1	1	1	1
24	R530100	节温器体	Thermostat body	1	1	1	1	1
25	R530200	节温器部件	Thermostat subassembly	1	1	1	1	1
26	R530300	胶管夹箍部件	Hose clamp subassembly	2	2	2	2	2

柴油机型号 Model				4RMP	R4105ZP4	R4105ZP6	R6105P	R6105ZP1
供货号 Delivery No.								
序号 Item	图号 Part No.	名称 Description		每台数量 Q'ty per set				
27	R070002	螺塞垫圈	Washer	1	1	1	1	1
28	R070003	温度表接头	Temperature gauge adapter	1	1	1	1	1
29	R940202	防护套	Protection cover		1	1	1	1
30	M8×25GB5783	全螺纹六角头螺栓	Full thread hex bolt	2	2	2	2	2
31	M10×30GB5783	全螺纹六角头螺栓	Full thread hex bolt	2	2	2	2	2
32	8GB848-140HV-Zn.D	小垫圈	Small washer	2	2	2	2	2
33	10GB848-140HV-Zn.D	小垫圈	Small washer	2	2	2	2	2
34	8GB93	弹簧垫圈	Spring washer		2	2	2	2
35	6R540002	水箱出水胶管	Water out hose, radiator		1	1	1	
36	6R540003-1	水箱进水胶管	Water in hose, radiator	1	1	1	1	
	6R1Z540003	水箱进水胶管	Water in hose, radiator					2
37	4R540006	垫块	Bed plate	2				
38	4R540100	水箱部件	Radiator subassembly	1				
	4R1ZD1540100	水箱部件	Radiator subassembly		1	1	1	
	6R1ZD1540100	水油复合散热器	Radiator subassembly					1
39	6R1ZD1540200	水箱进油管组件	Oil inlet pipe, radiator					1

柴油机型号 Model				4RMP	R4105ZP4	R4105ZP6	R6105P	R6105ZP1
供货号 Delivery No.								
序号 Item	图号 Part No.	名称 Description		每台数量 Qty per set				
40	6R1ZD1540300	水箱出油管组件	Oil outlet pipe, radiator					1
41	R320001	喷油器密封垫	Injector seal washer					4
42	Φ44-64GB556-83 B 型	喉箍	Clamp	4	4	4	4	4
43	M12×60GB5782	六角头螺栓	Hex bolt		2	2	2	
44	M12GB6170-Zn.D	六角螺母	Hex nut	2	2	2	2	
45	12GB93	弹簧垫圈	Spring washer	2				
46	12GB848-140HV-Zn.D	小垫圈	Small washer		2	2	2	

17. 电器系统总成

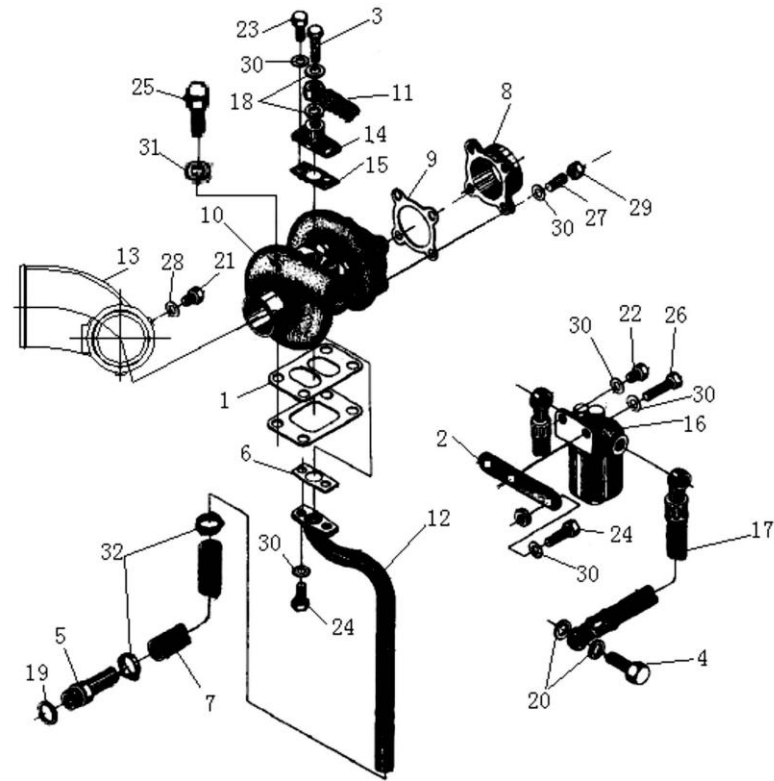
ELECTRICAL SYSTEM ASSEMBLY

柴油机型号 Model				4RMP	R4105ZP4	R4105ZP6	R6105P	R6105ZP1
供货号 Delivery No.								
序号 Item	图号 Part No.	名称 Description		每台数量 Qty per set				
1	4RG610100-A	起动机部件	Starter motor subassembly	1	1	1	1	1
2	M10×30GB5783	全螺纹六角头螺栓	Full thread hex bolt	3	3	3	3	3
3	10GB848-140HV-Zn.D	小垫圈	Small washer	3	3	3	3	3
4	6R620100	发电机部件	Charging alternator subassembly	1	1	1	1	1
5	4R620001-B	发电机调节架	Alternator adjusting bracket	1	1	1	1	1
6	M8×25GB5783	全螺纹六角头螺栓	Full thread hex bolt	1	1	1	1	1
7	R620005	发电机螺栓	Alternator bolt	1	1	1	1	1
8	R620006	加厚大垫圈	Thick big washer	1	1	1	1	1
9	M10GB6170-Zn.D	六角螺母	Hex nut	1	1	1	1	1
10	8GB93	弹簧垫圈	Spring washer	1	1	1	1	1
11	10GB93	弹簧垫圈	Spring washer	1	1	1	1	1
12	10GB848-140HV-Zn.D	小垫圈	Small washer	1	1	1	1	1
13	495K1-12300	电压调节器	Voltage regulator	1	1	1	1	1
14	M6×12GB5783	全螺纹六角头螺栓	Full thread hex bolt	2	2	2	2	2
15	M6GB6170-8-HY	六角螺母	Hex nut	2	2	2	2	2

柴油机型号 Model				4RMP	R4105ZP4	R4105ZP6	R6105P	R6105ZP1
供货号 Delivery No.								
序号 Item	图号 Part No.	名称 Description		每台数量 Q'ty per set				
16	6GB893	弹簧垫圈	Spring washer	2	2	2	2	2
17	6GB97.1-140HV-Zn.D	平垫圈	Plain washer	2	2	2	2	2
18	4R1650100-JH	4R 电线束结合件	Wire harness subassembly	1	1	1		
	6R1650100-JH	6R 电线束结合件	Wire harness subassembly				1	1
19	4R3D650200	电线套管	Wire harness tube	1	1	1	1	1
	6R1D1650201	电线套管部件	Wire harness tube				1	1
20	4R3D650001	电线套管夹子	Clamp, wire harness	2	2	2	2	2
	4R3D650001-1	电线套管夹子	Clamp, wire harness				3	3
21	495G-12701	仪表盘	Gauge panel	1	1	1	1	1
22	495G-12710	仪表盘架焊合件	Gauge panel bracket welding part	1	1	1	1	1
23	495G-12720	减震器组件	AVM pads subassembly	3	3	3	3	3
24	495G-12620	油温表	Oil temperature gauge	1	1	1		
	6R1D1660200	油温表	Oil temperature gauge				1	1
25	4RD1660300	机油压力表组件	Oil pressure gauge subassembly	1	1	1	1	1
26	495G-12630	电流表	Ampere meter	1	1	1	1	1
27	495G-12610	水温表	Water temperature gauge	1	1	1		
	6R1D1660100	水温表	Water temperature gauge				1	1

柴油机型号 Model				4RMP	R4105ZP4	R4105ZP6	R6105P	R6105ZP1
供货号 Delivery No.								
序号 Item	图号 Part No.	名称 Description		每台数量 Qty per set				
28	495G-12660	电路钥匙开关	Key switch	1	1	1	1	1
29	495G-12650-1	起动开关	Starting switch	1	1	1	1	1
30	4RD1660003	支柱	Spacer	2	2	2	2	2
31	495G-12670	压力表管组件	Pressure gauge tube subassembly	1	1	1		
	6R1D660400	压力表管组件	Pressure gauge tube subassembly				1	1
32	M4 x 9GB67-Zn.D	开槽盘头螺钉	Screw	3	3	3	3	3
33	M4GB6170-8-HY	六角螺母	Hex nut	3	3	3	3	3
34	M8GB6170-Zn.D	六角螺母	Hex nut	2	2	2	2	2
35	4GB93	弹簧垫圈	Spring washer	3	3	3	3	3
36	4GB97.1-140HV-ZnD	平垫圈	Plain washer	3	3	3	3	3
37	8GB848-140HV-Zn.D	小垫圈	Small washer	2	2	2	2	2
38	495G-12810	起动机线连接头	Battery cable	1	1	1	1	1
39	495G-12820	搭铁线连接头	Battery ground cable	1	1	1	1	1

增压器总成
TURBOCHARGER ASSEMBLY



18. 增压器总成

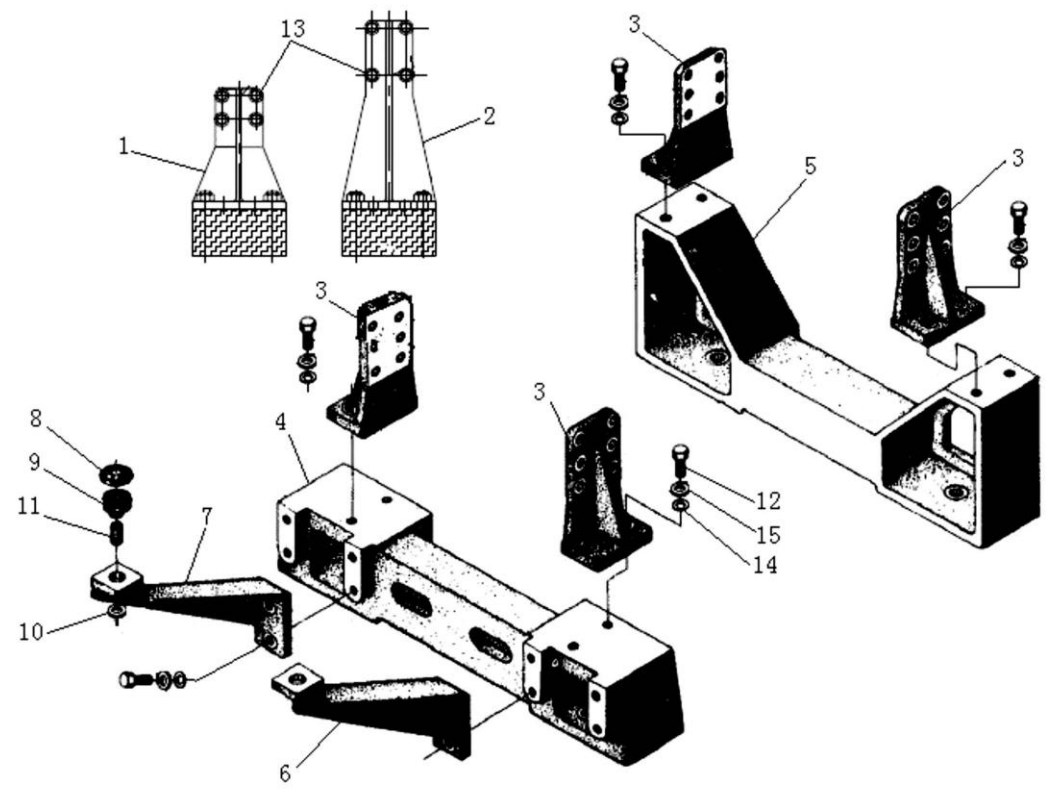
TURBOCHARGER ASSEMBLY

柴油机型号 Model				4RMP	R4105ZP4	R4105ZP6	R6105P	R6105ZP1
供货号 Delivery No.								
序号 Item	图号 Part No.	名称 Description		每台数量 Qty per set				
1	RZ730001	增压器垫片	Turbocharger gasket					1
2	4RZ730002	机滤器支架	Bracket,oil filter		1	1		
	6R1Q330021	柴油滤清器支架	Bracket,fuel filter					1
3	495Z-23004	接头螺钉	Banjo bolt		1	1		
	6R1ZD1730002	铰接螺栓	Banjo bolt					1
4	4RZT730003-1	管接螺钉	Banjo bolt		1	1		1
5	RZ730004	回油管接头	Adaptor,oil drain pipe		1	1		1
6	495ZD-1-23002	回油法兰垫片	Gasket,oil drain flange		1	1		
	6RZQ730008	回油法兰垫片	Gasket,oil drain flange					1
7	4RZD730009	回油接管	Oil drain rubber hose		1	1		
	6R1ZD1730009	回油胶管	Oil drain rubber hose					1
8	4RZ730011	增压器排气法兰	Exhaust flange,turbochager		1	1		
9	4RZ730012	增压器排气法兰垫片	Gasket,exhaust flange		1	1		
10	4RZD730100	增压器部件	Turbocharger subassembly		1	1		
	6R1ZD1730100	增压器部件	Turbocharger subassembly					1

柴油机型号 Model				4RMP	R4105ZP4	R4105ZP6	R6105P	R6105ZP1
供货号 Delivery No.								
序号 Item	图号 Part No.	名称 Description		每台数量 Q'ty per set				
11	4R1ZD1730200	增压器进油管部件	Oil inlet pipe subassembly,turbocharger		1	1		
	6R1ZD1730200	增压器进油管部件	Oil inlet pipe subassembly,turbocharger					1
12	4RZD730500-2	增压器回油管部件	Oil drain pipe subassembly,turbocharger		1	1		
	6R1ZD1730500	增压器回油管部件	Oil drain pipe subassembly,turbocharger					1
13	4R1ZD1730601	增压器进气接管	Air inlet connecting pipe,turbocharger		1	1		
14	495ZD-1-23006	增压器进油法兰	Oil inlet flange,turbocharger		1	1		
15	495ZD-1-23007	进油法兰垫片	Gasket,oil inlet flange		1	1		
16	495Z-23400(b)	机油滤清器部件	Oil filter subassembly		1	1		1
17	R350200	滤清器进油管部件	Fuel inlet pipe,fuel filter					1
	4R1ZD350500-A	滤清器进油管部件	Fuel inlet pipe,fuel filter		1	1		
18	495Z-23003	垫圈	Washer		2	2		2
19	495-01028	垫圈	Washer		1	1		1
20	4RC620023	垫圈	Washer		2	2		2
21	M6×20GB5783	全螺纹六角头螺栓	Full thread hex bolt		3	3		
22	M8×16GB5783	全螺纹六角头螺栓	Full thread hex bolt		1	1		2
23	M8×20GB5783	全螺纹六角头螺栓	Full thread hex bolt		4	4		2
24	M8×25GB5783	全螺纹六角头螺栓	Full thread hex bolt		1	1		

柴油机型号 Model				4RMP	R4105ZP4	R4105ZP6	R6105P	R6105ZP1
供货号 Delivery No.								
序号 Item	图号 Part No.	名称 Description		每台数量 Q'ty per set				
25	M10 × 25A2-70GB5783	全螺纹六角头螺栓	Full thread hex bolt					4
26	M8 × 30GB5783	全螺纹六角头螺栓	Full thread hex bolt		1	1		
27	AM8 × 20GB898-A2-70	双头螺柱	Stud		4	4		
28	M6GB6170-8-HY	六角螺母	Hex nut		3	3		
29	M8GB6170-Zn.D	六角螺母	Hex nut		4	4		
30	8GB848-140HV-Zn.D	小垫圈	Small washer		11	11		4
31	10GB848-A140	不锈钢垫圈	Stainless steel washer					4
32	Φ32 钢丝卡箍	Φ32 钢丝卡箍部件	Steel wire clamp subassembly		2	2		2

支架底座总成
BRACKET AND SUPPORT SEAT ASSEMBLY

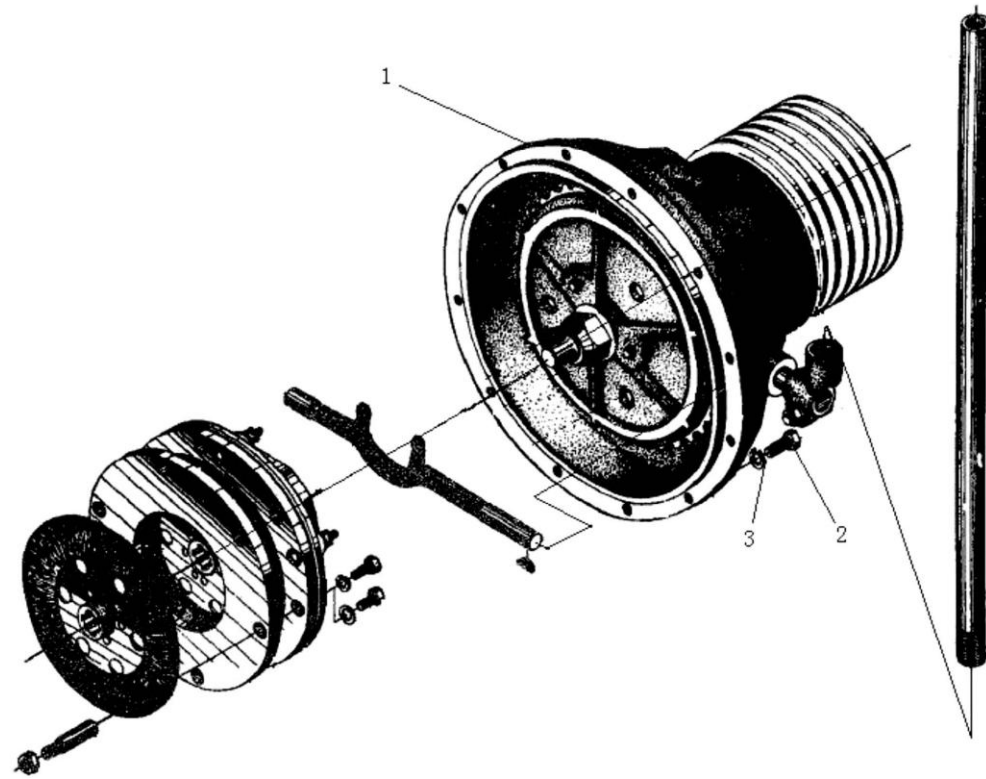


19. 支架底座总成

BRACKET AND SUPPORT SEAT ASSEMBLY

柴 油 机 型 号 Model				4RMP	R4105ZP4	R4105ZP6	R6105P	R6105ZP1
供 货 号 Delivery No.								
序号 Item	图号 Part No.	名 称 Description		每 台 数 量 Qty per set				
1	6RD920011-A	前支架	Front support					2
2	6RD920012-A	后支架	Rear support					2
3	R1P740025-A	支架	Support	4	4	4	4	
4	R1P740026-A	前底架	Front base support	1	1	1	1	
5	R1P740027-A	后底架	Rear base support	1	1	1	1	
6	R1P740028-A	水箱左悬支架	Left bracket,radiator	1	1	1	1	
7	R1P740029-A	水箱右悬支架	Right bracket,radiator	1	1	1	1	
8	495G-16106	水箱垫碗	Rubber cushion	2	2	2	2	
9	495G-16107	水箱胶垫(甲)	Rubber cushion(I)	2	2	2	2	
10	495G-16108	水箱胶垫(乙)	Rubber cushion(II)	2	2	2	2	
11	495G-16109	胶垫套管	Rubber cushion sleeve	2	2	2	2	
12	M12×30GB5783	全螺纹六角头螺栓	Full thread hex bolt	28	28	28	28	
13	M12×35GB5783	全螺纹六角头螺栓	Full thread hex bolt					16
14	12GB848-140HV-Zn.D	小垫圈	Small washer	28	28	28	28	
15	12GB859	轻型弹簧垫圈	Spring wssher	28	28	28	28	16

离合器总成
CLUTCH ASSEMBLY



20. 离合器总成
CLUTCH ASSEMBLY

柴油机型号 Model				4RMP	R4105ZP4	R4105ZP6	R6105P	R6105ZP1
供货号 Delivery No.								
序号 Item	图号 Part No.	名称 Description		每台数量 Qty per set				
1	R1P750000-JH	离合器总成结合件	Clutch assembly	1	1	1	1	1
2	M10×30GB5783	全螺纹六角头螺栓	Full thread hex bolt	12	12	12	12	12
3	10GB93	弹簧垫圈	Spring washer	12	12	12	12	12